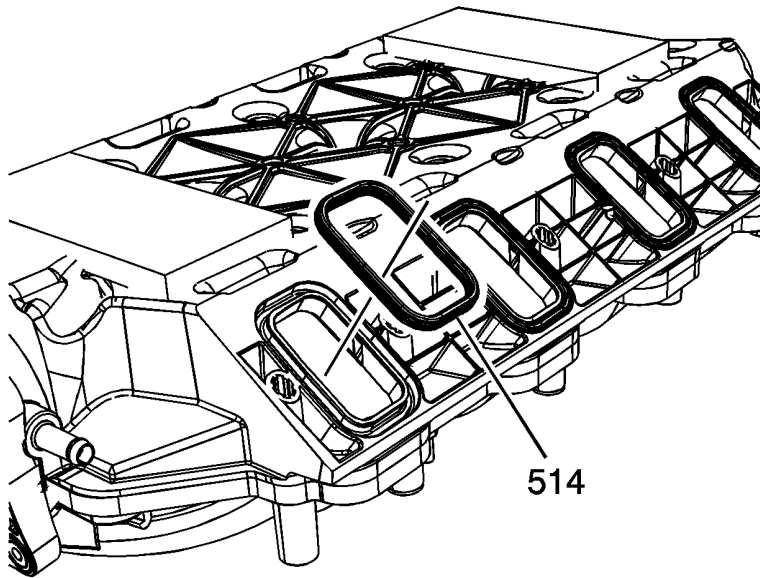


Document ID# 1556289
2006 Chevrolet Corvette

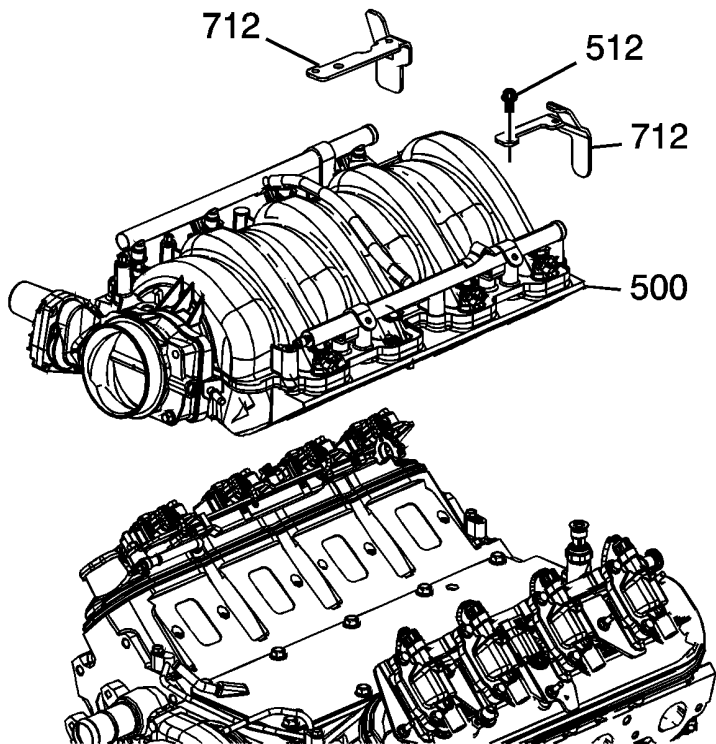
Intake Manifold Installation



Important:

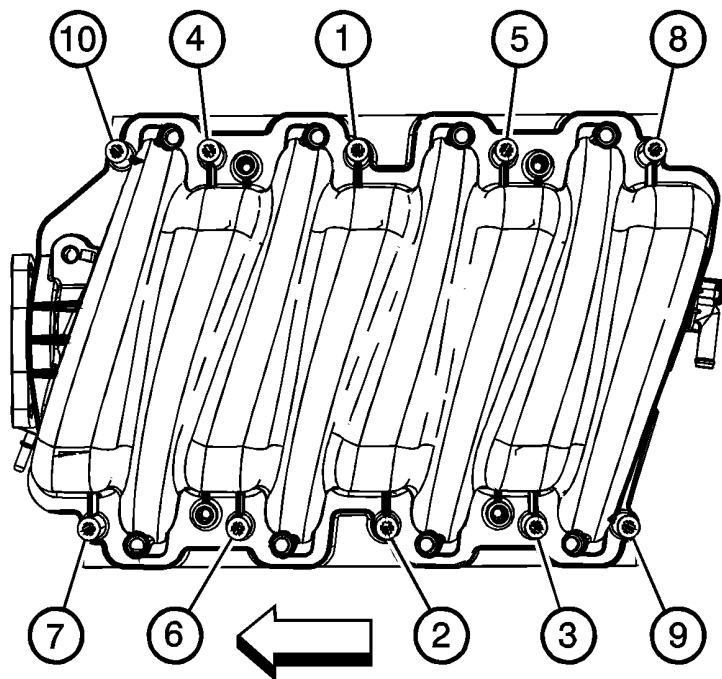
- The intake manifold, throttle body, fuel injection rail and fuel injectors may be removed as an assembly. If not servicing the individual components, install the intake manifold as a complete assembly.
- **DO NOT** use the intake manifold gaskets again. Install **NEW** intake manifold-to-cylinder head gaskets.

1. Install **NEW** intake manifold-to-cylinder head gaskets (514).



2. Install the intake manifold (500).
3. Apply a 5 mm (0.20 in) band of threadlock GM P/N 12345382 (Canadian P/N 10953489) to the threads of the intake manifold bolts (512). Refer to [Sealers, Adhesives, and Lubricants](#) .

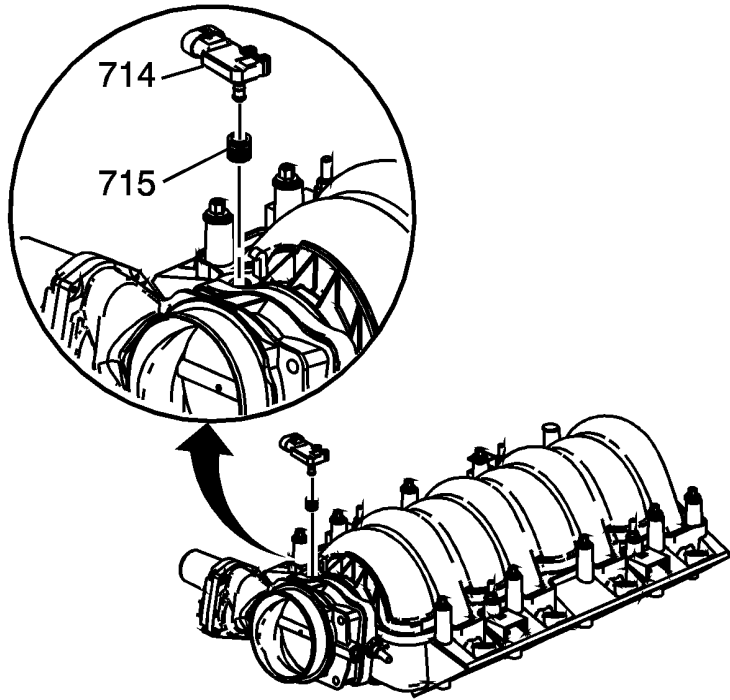
Notice: Refer to [Fastener Notice](#) in Cautions and Notices.



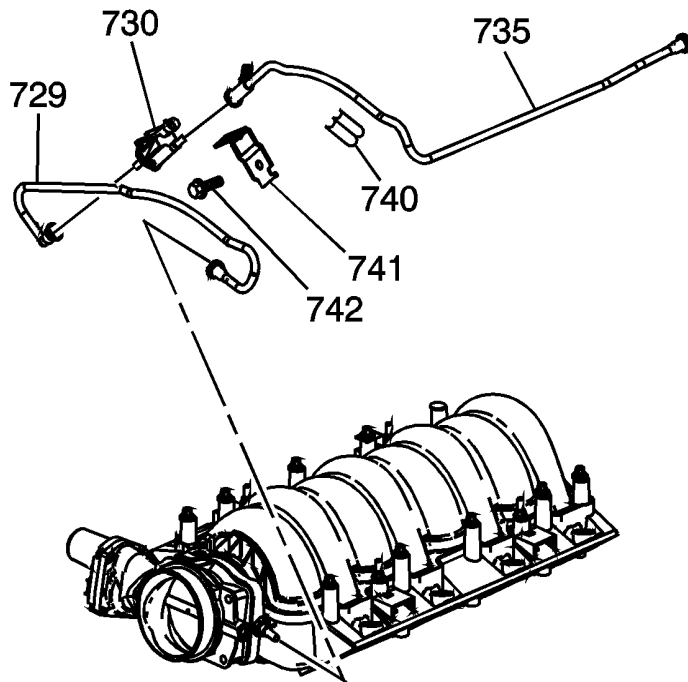
4. Install the intake manifold bolts and fuel rail stop brackets.

Tighten

- a. Tighten the intake manifold bolts (1-10) a first pass in sequence to 5 N·m (44 lb in).
- b. Tighten the intake manifold bolts (1-10) a final pass in sequence to 10 N·m (89 lb in).



5. Lubricate the manifold absolute pressure (MAP) sensor grommet (715) with clean engine oil.
6. Install the MAP sensor (714) and grommet (715).



7. Install the evaporative (EVAP) emission canister purge solenoid valve (730), bracket (741), and bolt (742).

Tighten

Tighten the bolt to 50 N·m (37 lb ft).

8. Install the EVAP tubes (729, 735).

Document ID# 1556289
2006 Chevrolet Corvette